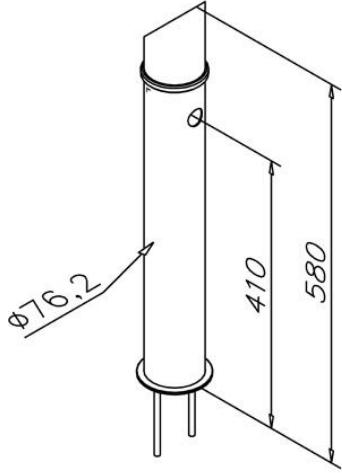
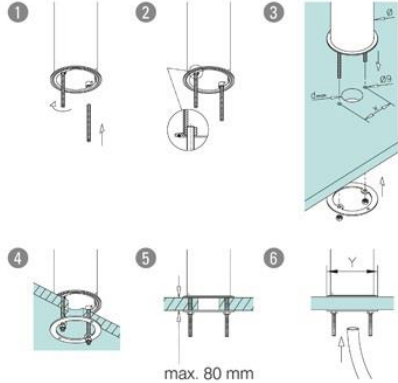
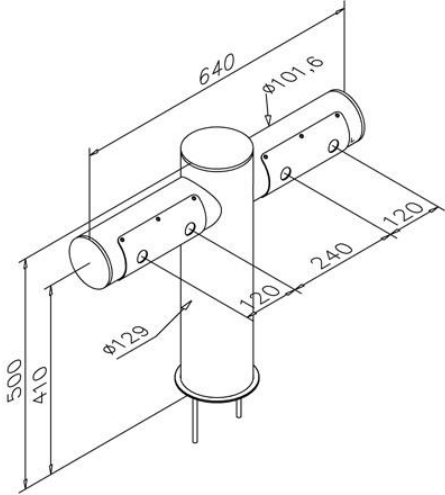
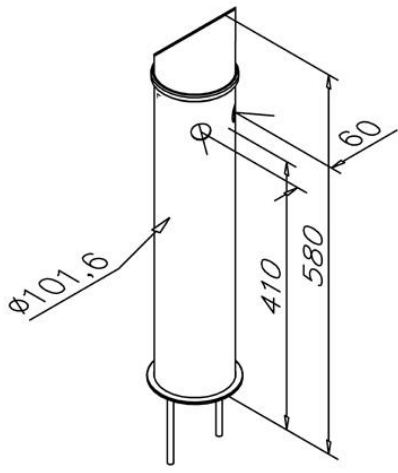


## Masse Chromstahlsäule Rhein

 <p>1 Hahn</p>	 <table border="1" data-bbox="1197 526 1412 672"> <thead> <tr> <th>Ø</th> <th>d max.</th> <th>X</th> <th>Y</th> </tr> </thead> <tbody> <tr> <td>76,2</td> <td>Ø40</td> <td>61</td> <td>95</td> </tr> <tr> <td>101,6</td> <td>Ø70</td> <td>86</td> <td>120</td> </tr> <tr> <td>129,0</td> <td>Ø90</td> <td>110</td> <td>150</td> </tr> <tr> <td>168,3</td> <td>Ø128</td> <td>150</td> <td>225</td> </tr> </tbody> </table> <p>Bolzenbefestigung 2 x M8 ( Bohrung Ø 9 mm Mass X)</p>	Ø	d max.	X	Y	76,2	Ø40	61	95	101,6	Ø70	86	120	129,0	Ø90	110	150	168,3	Ø128	150	225
Ø	d max.	X	Y																		
76,2	Ø40	61	95																		
101,6	Ø70	86	120																		
129,0	Ø90	110	150																		
168,3	Ø128	150	225																		
 <p>4 Hahn</p>	 <p>2 Hahn</p>																				